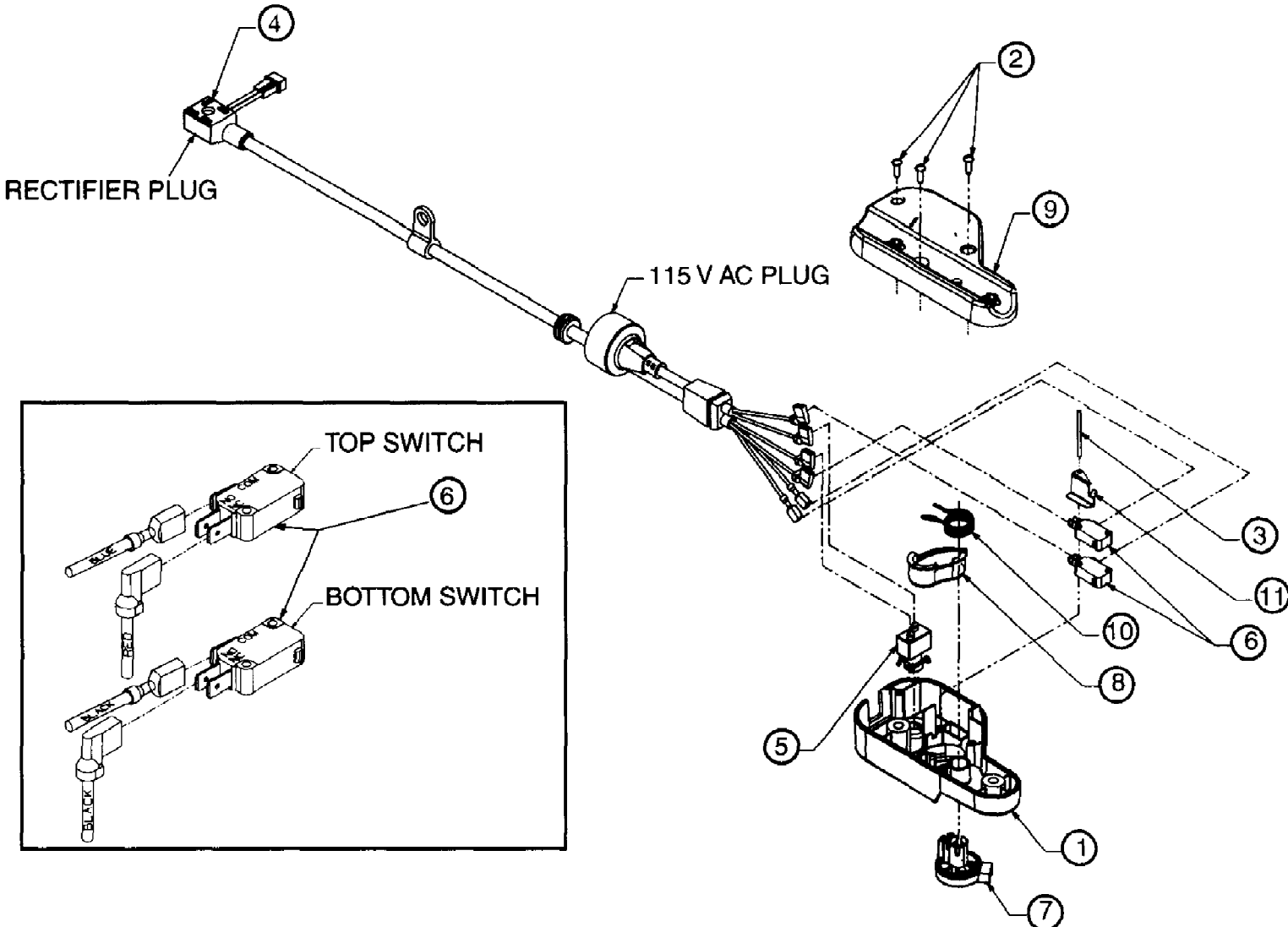


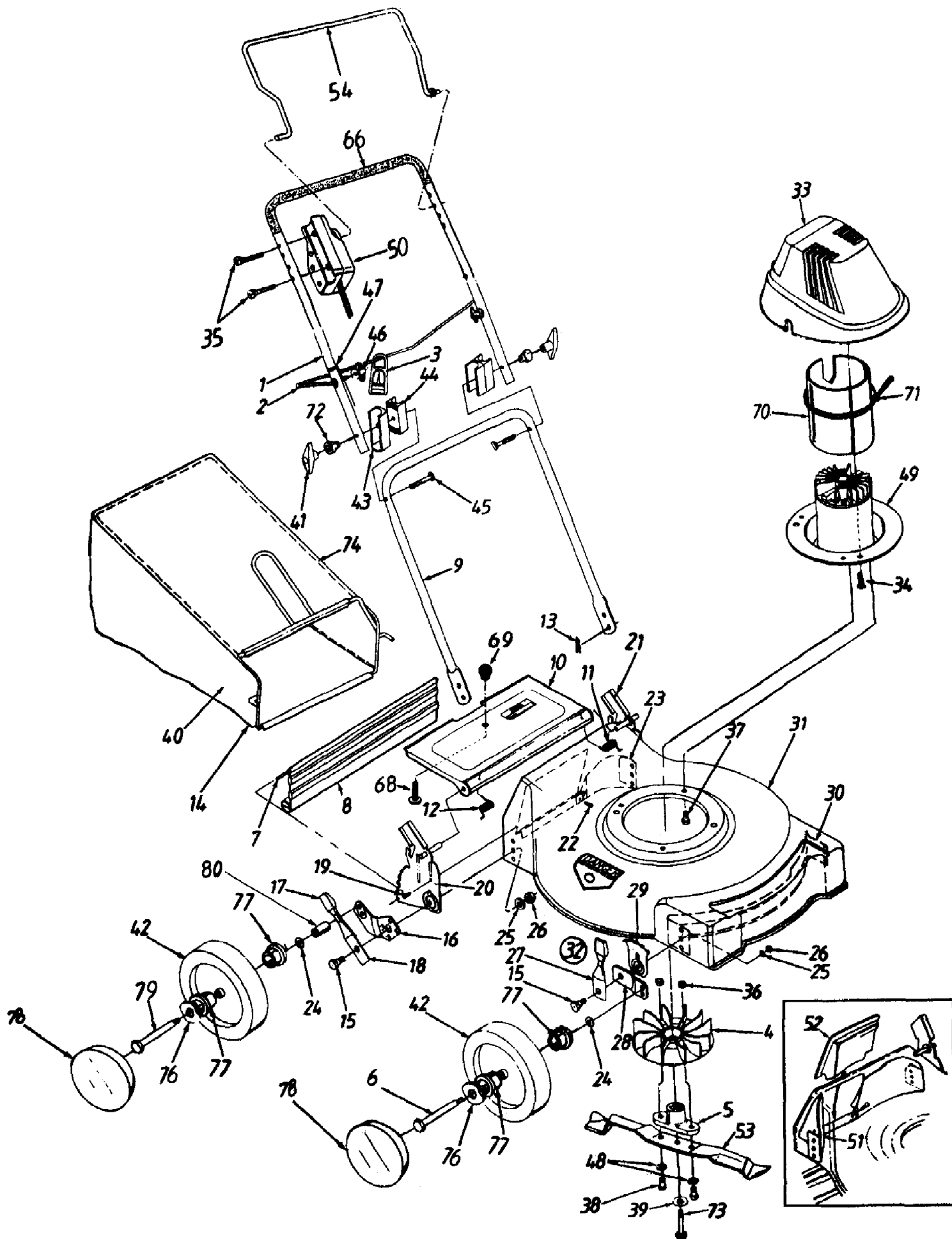
18A-407-190 LC-407 (1997)
Cord And Switch Assembly



18A-407-190 LC-407 (1997)
Cord And Switch Assembly

Page 2 of 5

Ref #	Part Number	Qty	S/P/F	Description
	625-0018B	1		Cord and Switch Assembly
1	631-0061	1		Switch Hsg. Ass'y. (L.H.)
2	710-1271	1	/P	Drive Screw #8 x 1/2 Lg.
3	711-1145	1		Pivot
4	724-1246	1		Cord, 115V volt w/plug
5	725-1712	1	S	Circuit Breaker 120 volt 15 amp.
6	725-1719	1	S	Switch, Micro 20 amp.
7	731-1571A	1		Clip, Bail Lock
8	731-1572	1		Button, Bail Lock
9	731-1848	1		Switch Housing (R.H.)
10	732-0741	1	S	Torsion Spring
11	782-9053	1		Actuator Arm



18A-407-190 LC-407 (1997)
Handle, Deck And Wheel Ass'y

Page 4 of 5

Ref #	Part Number	Qty	S/P/F	Description
1	749-0886	1	S	Upper Handle
2	747-0790	1	S	Cord Control Rod
3	725-1590	1	S	Strain-Relief Cord
4	731-1270	1		Fan
5	748-0356	1		Blade Adapter
6	738-0102	1	S	Axle Bolt
7	732-0712	1		Rear Flap Wire
8	731-1261	1		Rear Flap
9	749-0885	1	S	Lower Handle
10	782-7025	1	S	Chute Door
11	732-0677	1	S	Door Spring (L.H.)
12	732-0678	1		Door Spring (R.H.)
13	714-0104	1	S	Hairpin Clip
14	764-0326	1	S	Front Catcher Frame
15	738-0507B	1	S	Shld. Bolt 5" X .434"
16	14765	1		Pivot Bar (R.H.)
	14766	1		Pivot Bar (L.H.) (Not shown)
17	720-0190	1	S	Spring Lever Knob
18	732-0417A	1	/P	Spring Lever
19	710-0896	1	/P	Hex AB-Tap Scr.
20	682-0514	1	S	Handle Bracket Ass'y. (R.H.)
21	682-0513	1	S	Handle Bracket Ass'y. (L.H.)
22	710-1017	1	/P	Torx . Mach. AB-Tap Scr.
23	782-5026	1	S	Rear Baffle
24	736-0105	1	/P	Bell Washer .38" I.d. x .88" O.D.
25	736-0356	1	S	Bell Washer .39" I.d. x 1.38" O.D.
26	712-0798	1	/P/F	Hex Nut 3/8-16 Thd.
27	14832	1	S	Spring Lever Ass'y. W/Knob
28	15262B	1	/P	Pivot Bar
29	15261A	1	S	Height Adj. Plate
30	782-5025	1	S	Front Baffle
31	782-0054	1	S	19" Deck
32	14578	1	/P	Height Adj. Ass'y. Comp. (R.H.)
	14579	1		Height Adj. Ass'y. Comp. (L.H.) (Not shown)
33	731-1263	1		Motor Cover
34	710-3009	1	/P	Scr. #10-24 x .75" Lg.
35	710-0605	1	/P	C-Sunk Scr. 1/4-20 x 1.8" Lg.
36	712-0241	1	/P	Hex Nut 3/8-24 Thd.
37	710-0654A	1	/P	Hex TT-Tap Scr. 3/8-16 x 1" Lg.
38	710-0191	1	/P	Hex Bolt 3/8-24 x 1.25" Lg.
39	736-0452	1	S	Bell Washer .396" I.D. x 1.14"
40	764-0475A	1	S	Grass Bag w/icon
41	720-0241	1	S	Plastic Knob
42	734-1819	1	S	Wheel Ass'y. Comp.
43	731-1268	1	/P	Upper Handle Insulator
44	731-1267	1	/P	Lower Handle Insulator
45	710-0450	1	/P	Carriage Bolt 5/16-18 x 3" Lg.
46	720-0279	1	/P	Knob - Plastic
47	726-0240	1	S	Cable Tie
48	736-0331	1	/P	Bell Washer 3/8" I.d.
49	624-0072	1		Motor, Cord & Switch Ass'y.
50	625-0018B	1		Cord & Switch Ass'y. Comp.
51	782-5004	1	S	Mulching Baffle - R.R.

18A-407-190 LC-407 (1997)
Handle, Deck And Wheel Ass'y

Page 5 of 5

Ref #	Part Number	Qty	S/P/F	Description
52	782-5007	1	S	Mulching Baffle Plug
53	742-0719	1	S	19" Mulching Blade
54	747-0622	1	S	Control Handle
66	720-0295	1	/P	Foam Grip
68	710-0192	1	/P	Truss Scr. #10-24 x .38" Lg.
69	720-0275	1		Knob
70	726-0209	1	/P	Cable Tie
71	721-0311	1		Insulator Motor Hsg.
72	731-1388	1		Insulator Knob
73	710-1251	1		Hex Bolt 3/8-24 x 2.5"
74	764-0325	1	S	Rear Catcher Frame
76	736-0504	1	S	Wave Washer
77	741-0180	2 Req'd.	S	Ball Bearing
78	731-0981A	1	S	Hub Cap
79	738-0102	1	S	Rear Axle Bolt
	738-0213	1	/P	Rear Axle Bolt
80	750-0535	1	S	Spacer